

ORDER REFERENCE

PROJECT: UC601 HYDRAULIC DRIVE
TYPICAL LAYOUT

PLEASE REFER TO PAGE 7
OF THE PLANNING GUIDE FOR
ADDITIONAL SIZING OPTIONS

HYDRAULIC DRIVE
OFFERS A MAXIMUM OF:
6 STOPS
50'-0" OF TRAVEL
15 SQ. FT. CAB SIZE

SPECIFICATIONS

DRIVE: UC601 HYDRAULIC DRIVE

CAPACITY: 1000#

MANUFACTURED TO MEET:
ASME A17.1 – 2016

LANDINGS: 3

IT IS THE RESPONSIBILITY OF THE INSTALLER OF THE UNIT
TO SATISFY ASME, NEC, STATE, AND LOCAL BUILDING CODES

CODE(S): 5,1 (INCLINATOR LAYOUT DESIGN)

SPEED: AT 36 F.P.M. ±4

SUSPENSION (2) STEEL WIRE ROPES 12,100#

MEANS: BREAKING STRENGTH $\phi 3/8$ – 8 x 19 IWRC

CAR CONSTRUCTION: 3/4" HARDWOOD VENEER

NOTE: ALL MANUFACTURER SUPPLIED CAR AND EQUIPMENT OPTIONS ARE
NOTED ON THE CONFIRMING ORDER SHEET.

DISCLAIMER: ONCE DRAWINGS HAVE BEEN APPROVED,
SIGNED AND WITHIN 5 DAYS OF PRODUCTION, THE
CUSTOMER WILL BEAR ALL RESPONSIBILITY AND LIABILITY
OF FINISHED UNIT.

DWG VIEW

COVER SHEET

PART NUMBER

80205325

REV. DATE

11/11/19



DRAWING TITLE

TYPICAL UC601 HYDRAULIC

DRAWING NO.

TYP-HYD-094

PAGE:
1/5

DRAWN BY:
S THOMAS

DWG. DATE
3/2017

JOB OR APP.#
-

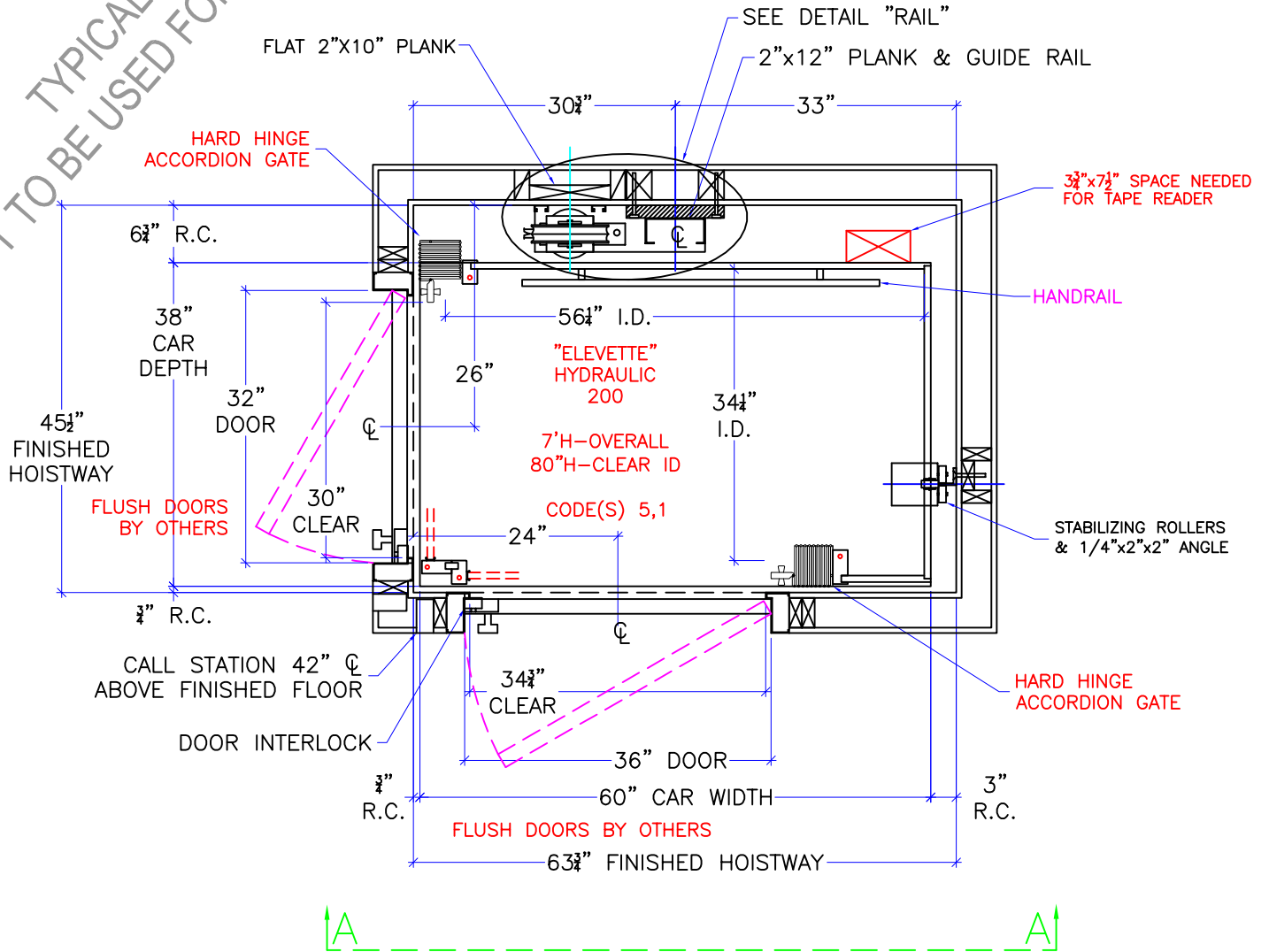
DEALER P.O.#
-

DWG. SCALE
1:24

REV. LEVEL(1-3)
A

NOT TO BE USED FOR CONSTRUCTION
TYPICAL DRAWING

LEFT HAND JACK



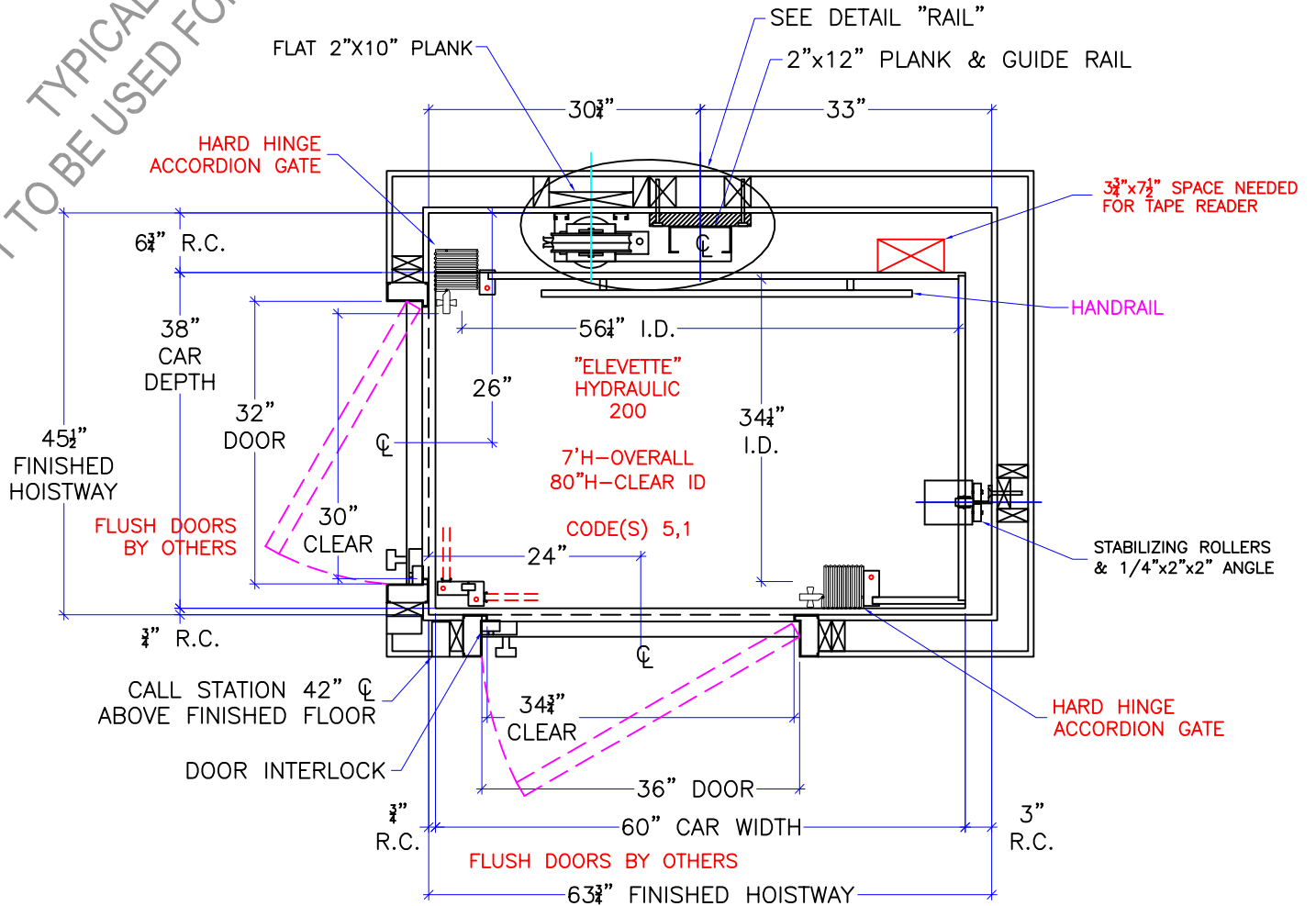
NOTE:
ALL HOISTWAY CONSTRUCTION MUST COMPLY WITH NATIONAL, STATE,
AND LOCAL CODES. HOISTWAY MUST BE PLUMB AND STRAIGHT
FROM TOP TO BOTTOM WITH NO PROJECTIONS INTO THE HOISTWAY.

| | | | | | | |
|-------------------------|-----------|-------------|--------------|--------------|------------|-----------------|
| DWG VIEW | | PART NUMBER | | REV. DATE | | |
| HOISTWAY LAYOUT | | 80205325 | | 11/11/19 | | |
| DRAWING TITLE | | DRAWING NO. | | - | | |
| TYPICAL UC601 HYDRAULIC | | TYP-HYD-094 | | - | | |
| PAGE: | DRAWN BY: | DWG. DATE | JOB OR APP.# | DEALER P.O.# | DWG. SCALE | REV. LEVEL(1-3) |
| 2/5 | S THOMAS | 3/2017 | - | - | 1:24 | A |



NOT TO BE USED FOR CONSTRUCTION
TYPICAL DRAWING

LEFT HAND JACK

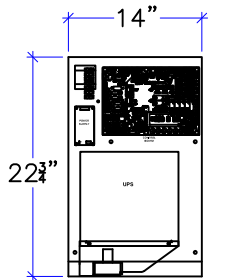
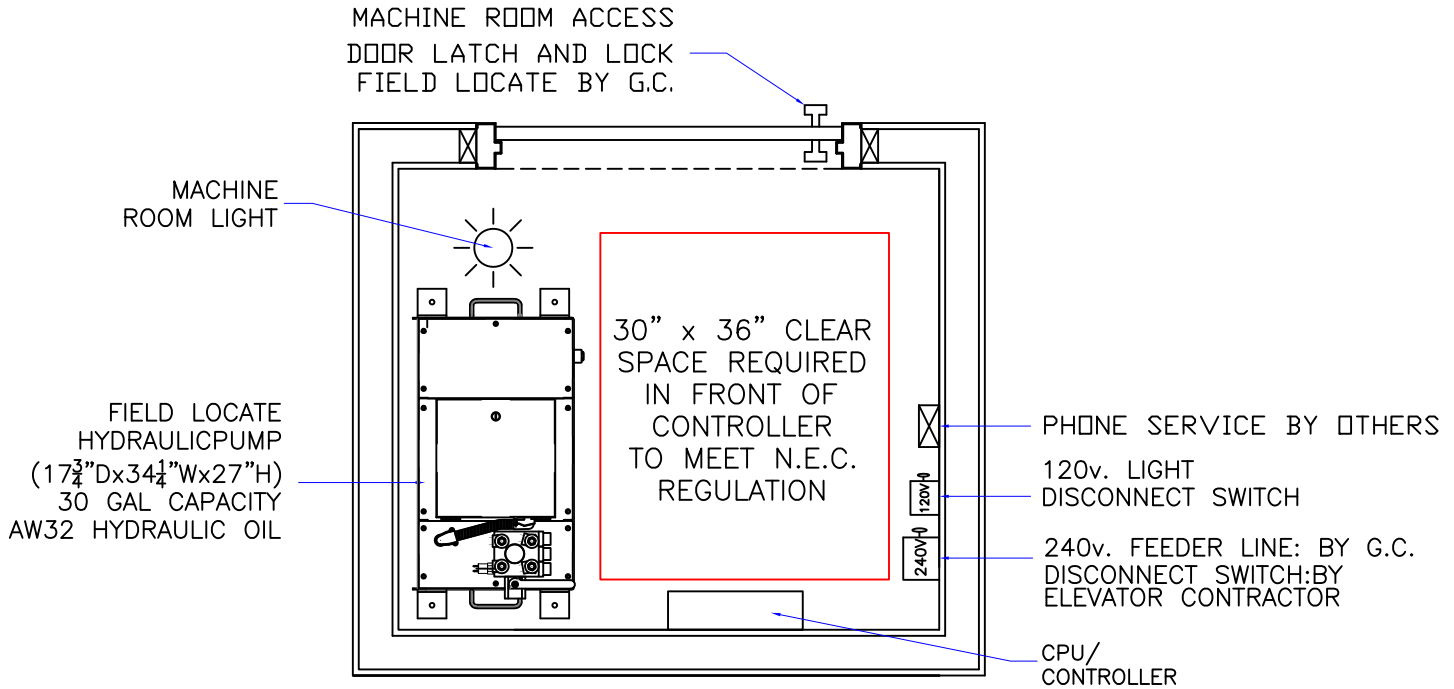


↑ A ————— A ↑

NOTE:
ALL HOISTWAY CONSTRUCTION MUST COMPLY WITH NATIONAL, STATE,
AND LOCAL CODES. HOISTWAY MUST BE PLUMB AND STRAIGHT
FROM TOP TO BOTTOM WITH NO PROJECTIONS INTO THE HOISTWAY.

| | | | | | | |
|-------------------------|-----------|-------------|--------------|--------------|------------|-----------------|
| DWG VIEW | | PART NUMBER | | REV. DATE | | |
| HOISTWAY LAYOUT | | 80205325 | | 11/11/19 | | |
| DRAWING TITLE | | DRAWING NO. | | — | | |
| TYPICAL UC601 HYDRAULIC | | TYP-HYD-094 | | — | | |
| PAGE: | DRAWN BY: | DWG. DATE | JOB OR APP.# | DEALER P.O.# | DWG. SCALE | REV. LEVEL(1-3) |
| 2/5 | S THOMAS | 3/2017 | — | — | 1:24 | A |





CPU ENCLOSURE
(14"W x 22 3/4"H x 4"D)

CONTROLLER SPACE:

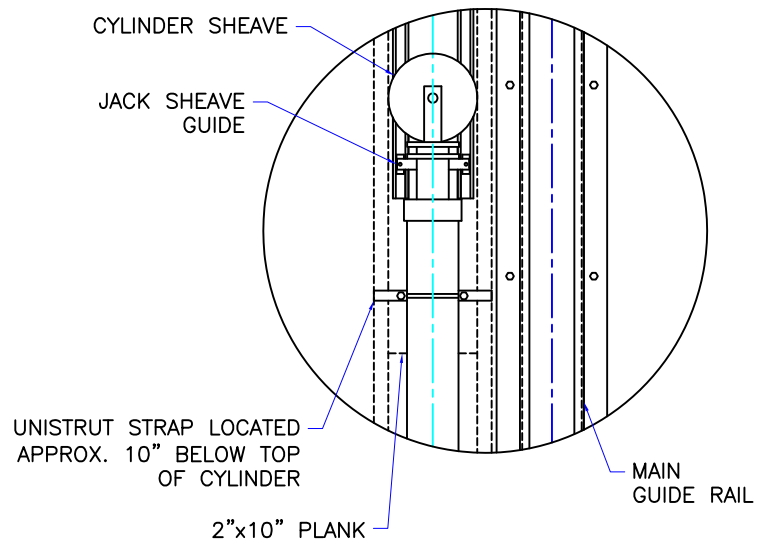
- 1: THE CPU AND PUMP UNIT SHOULD BE LOCATED IN THE SAME LOCATION. THE RECOMMENDED WIRING DISTANCE FROM THE CPU TO THE PUMP UNIT TO BE 10'. LONGER MOTOR CABLES UP TO 40' ARE AVAILABLE. CONSULT WITH INCLINATOR WHEN ORDERING.
- 2: CONTROLLER SHOULD BE MOUNTED IN A TEMPERATURE CONTROLLED ENVIRONMENT BETWEEN 40°F TO 120°F (4°C - 49°C).
- 3: CPU AND PUMP UNIT SHOULD NOT BE EXPOSED TO OUTDOOR ELEMENTS.
- 4: N.E.C. REGULATIONS REQUIRE A MINIMUM OF 30" WIDE x 36" DEEP x 6'-6" HIGH CLEAR UNOBSTRUCTED SPACE IN FRONT OF CONTROLLER.
5. MACHINE ROOM TO HAVE NATURAL/MECHANICAL VENTILATION IF REQUIRED BY STATE OR LOCAL CODES.
6. MACHINE ROOM LAYOUT MUST COMPLY WITH LOCAL, STATE, AND NATIONAL CODES.

NOTICE TO ELECTRICAL CONTRACTOR:

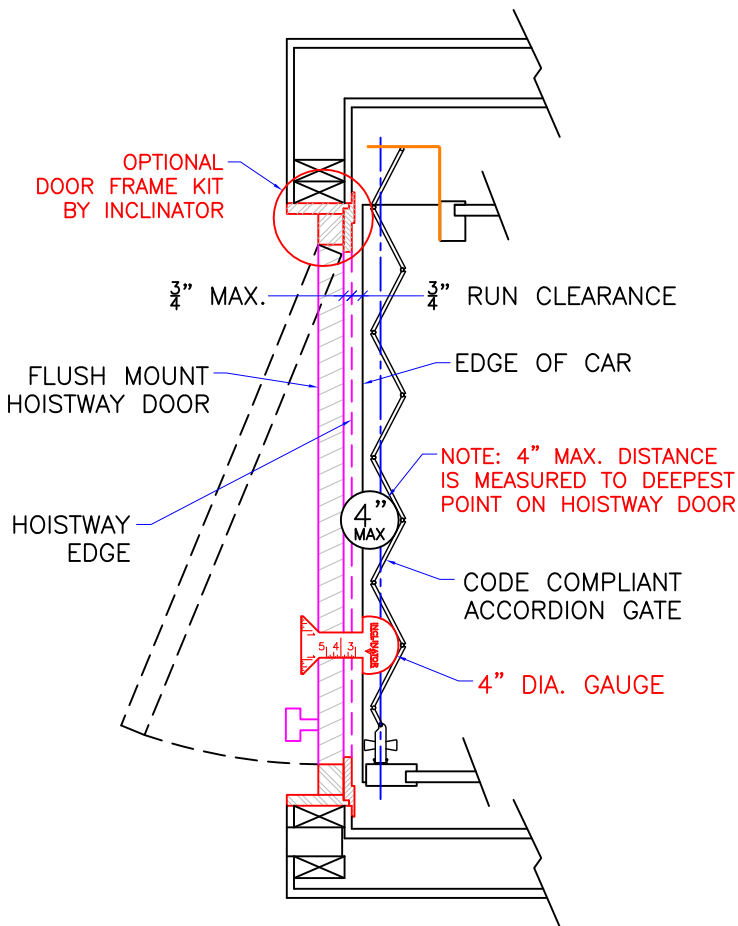
- ALL ELECTRICAL WIRING MUST BE DONE BY A JOURNEYMAN MECHANIC AND MUST MEET ALL NATIONAL, STATE, AND LOCAL CODES.
- BRING (2) #10 W/GND FROM RESIDENCE INCOMING POWER PANEL 30AMP BREAKER (240V, & GROUND) TO THE CONTROLLER SPACE.
- BRING (2) #12 W/GND FROM RESIDENCE INCOMING POWER PANEL 20AMP GFI BREAKER (120V, NEUTRAL, GROUND) TO THE MACHINE ROOM.
- REQUIRED LOW VOLTAGE WIRING IS SUPPLIED BY MANUFACTURER. ALL EXTENSIONS ADDITIONS, ETC. SHALL BE DONE WITH THE SAME SIZE AND TYPE OF WIRE AS ORIGINALLY SUPPLIED BY THE MANUFACTURER.
- A TELEPHONE LINE SHALL BE SUPPLIED TO THE CONTROLLER SPACE AND SHALL BE CONNECTED TO A 24 HOUR CENTRAL EXCHANGE.
- ALL MEANS FOR ACCESS TO EQUIPMENT SHALL BE PROVIDED WITH A LOCK. ALL SHAFT DOORS MUST BE INTERLOCKED.

| | | | | | | |
|-------------------------------|-----------|-------------|--------------|--------------|------------|-----------------|
| DWG VIEW | | PART NUMBER | | REV. DATE | | |
| CONTROLLER SPACE REQUIREMENTS | | 80205325 | | - | | |
| DRAWING TITLE | | DRAWING NO. | | - | | |
| TYPICAL UC601 HYDRAULIC | | TYP-HYDRO | | - | | |
| PAGE: | DRAWN BY: | DWG. DATE | JOB OR APP.# | DEALER P.O.# | DWG. SCALE | REV. LEVEL(1-3) |
| 4/5 | S THOMAS | 3/2017 | - | - | 1:24 | - |





NOTE:
 JACK SHEAVE GUIDE MUST BE INSTALLED PARALLEL TO MAIN GUIDE RAIL, PLUMB w/ JACK ON INSTALLATION. UNISTRUT TO BE FASTENED TO THE SUPPORT PLANK EVERY 3'-0".



DOOR FRAME DETAILS

REF: ASME 17.1-2016 5.3.1.4.2, 5.3.1.7.2, & 5.3.1.8.3

JACK GUIDE DETAIL

1. VERTICAL LOAD FORCES
 STATIC = 2,230 LBS.
 IMPACT = 4,460 LBS.
2. RAIL FASTENING TO 2"x12" PLANK:
 #14 x 1 3/4" TYPE A S.M.S. RAIL IS PRE-DRILLED AT FACTORY.
3. BOLT FASTENING OF CAR TO TROLLEY:
 1/2" - 13 x 4" SOCKET HD CAP SCREWS
4. JACK SPECIFICATIONS
 - A. SINGLE PC JACKS
 PISTON DIA. 2 5/16"
 WALL THICK. 11/32"
 - B. SPLICED JACKS
 PISTON DIA. 2 13/16"
 WALL THICK. 9/32"
 - C. ALL CYLINDERS
 OUTSIDE DIA. 4"
 WALL THICK. 3/16"
 - D. MAX WORKING PRESS. 1000 PSI
5. ALL SHEAVE DIA. 8 5/16"

TECHNICAL DATA

DWG VIEW

DETAILS, DATA, CODES

PART NUMBER

80205325

REV. DATE

DRAWING TITLE

TYPICAL UC601 HYDRAULIC

DRAWING NO.

TYP-HYDRO



PAGE:
5/5

DRAWN BY:
S THOMAS

DWG. DATE
3/2017

JOB OR APP.#
-

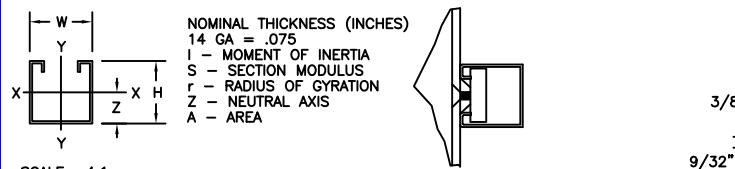
DEALER P.O.#
-

DWG. SCALE
1:24

REV. LEVEL(1-3)
-

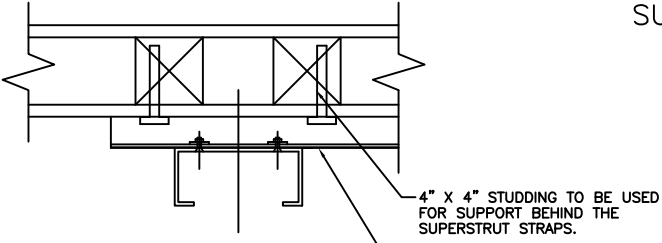
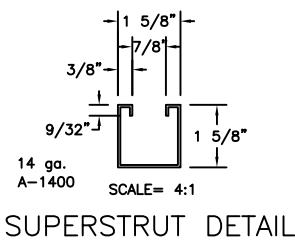
| SECTION | | | | | X - X AXIS | | | | Y - Y AXIS | | |
|----------------|------|-------|-------|------|------------------|------------------|------|------|------------------|------------------|------|
| MEMBER | WT. | HT. | W | A | I | S | r | Z | I | S | r |
| | | | | | in. ⁴ | in. ³ | in. | in. | in. ⁴ | in. ³ | in. |
| SINGLE CHANNEL | | | | | | | | | | | |
| A-1400 | 1.40 | 1.625 | 1.625 | .401 | .134 | .146 | .577 | .707 | .184 | .226 | .677 |

| LOAD RATINGS FOR 3/8-16 STRUT NUTS USED IN SUPERSTRUT CHANNELS | | |
|----------------------------------------------------------------|----------------------|------------------------|
| CHANNEL NO. | SLIP RESISTANCE LBS. | PULL OUT STRENGTH LBS. |
| A - 1400 | 1000 | 2000 |

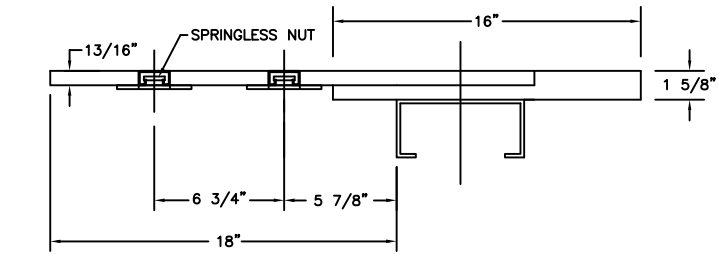


SCALE= 4:1

SECTION C-C
SCALE= 4:1

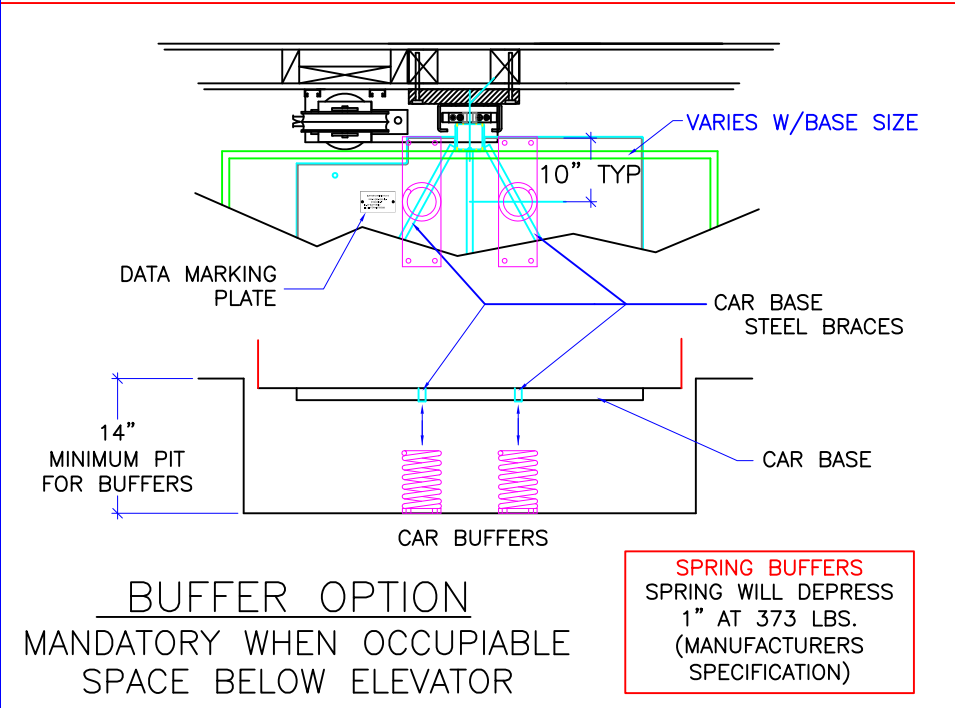
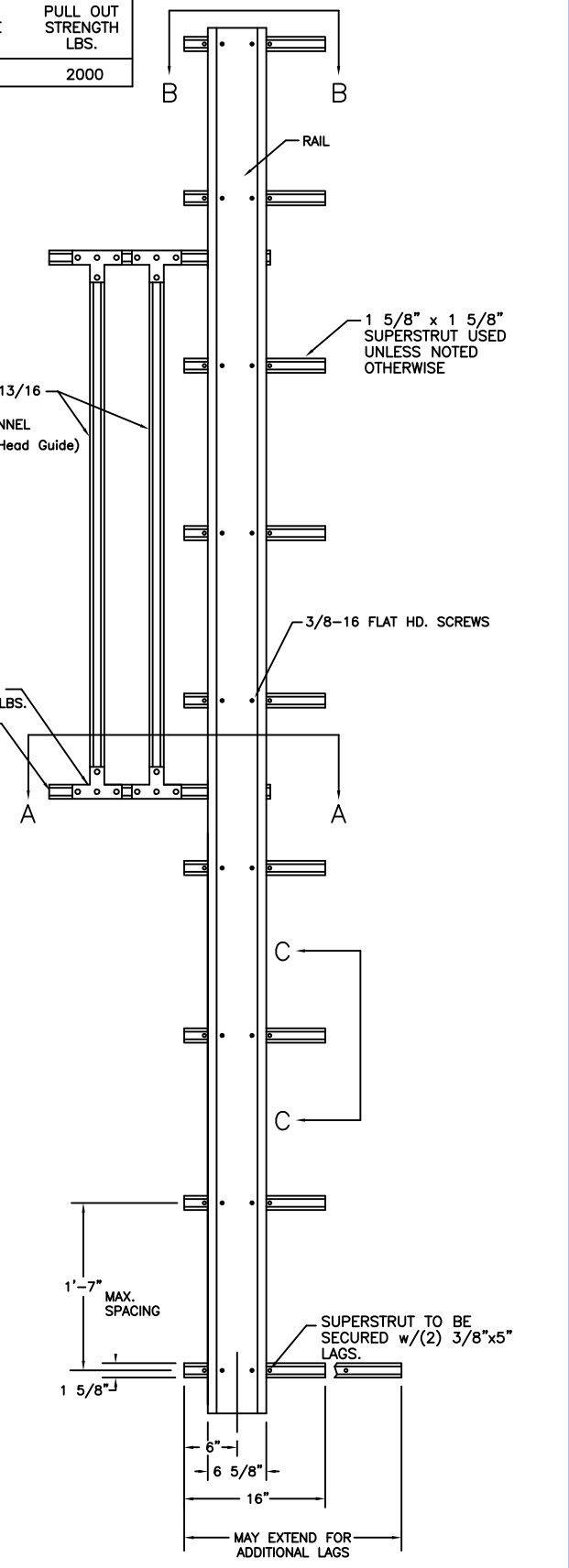


SECTION B-B
SCALE= 2:1



SECTION A-A
SCALE= 2:1

MOUNTING TO CONCRETE

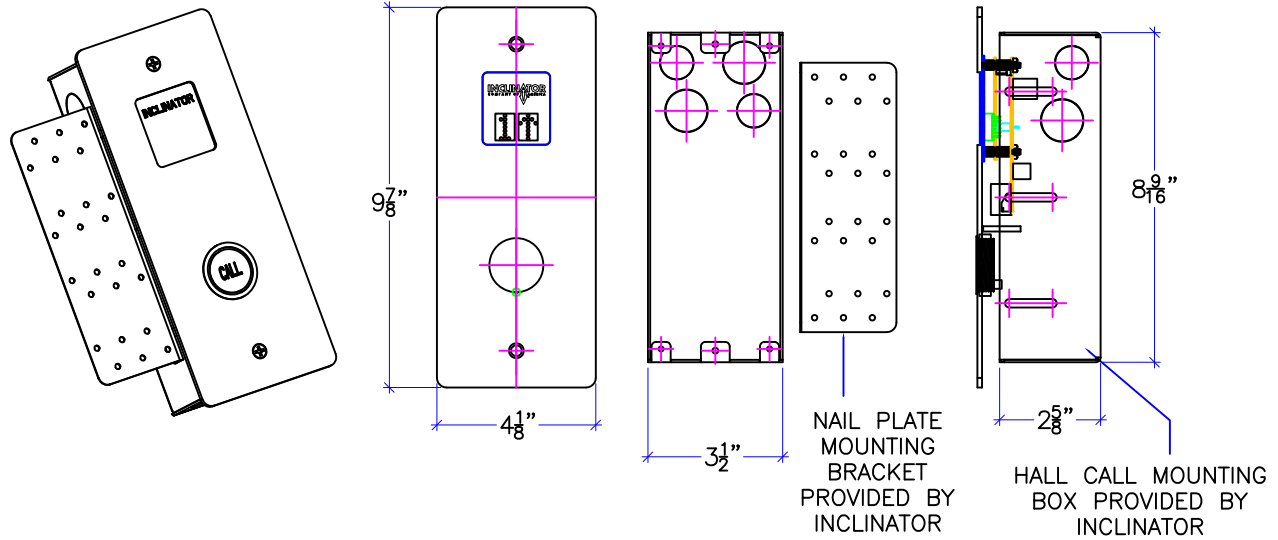


BUFFER OPTION

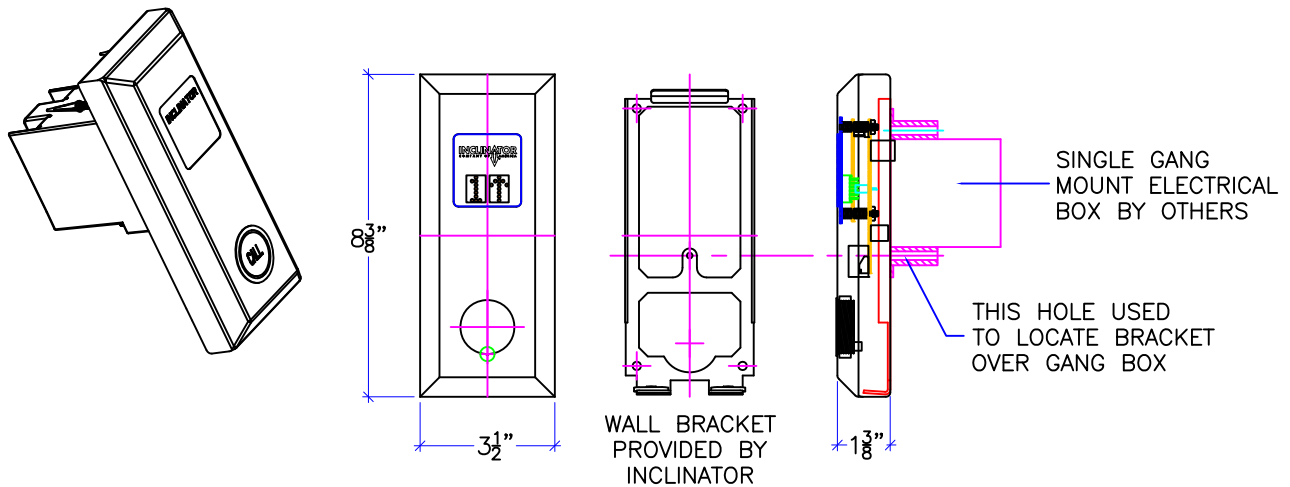
MANDATORY WHEN OCCUPIABLE SPACE BELOW ELEVATOR

| | | | | | | | |
|-------------------------|-----------|-----------|--------------|--------------|------------|-----------------|--|
| DWG VIEW | | | | PART NUMBER | | REV. DATE | |
| OPTIONS | | | | 80205325 | | - | |
| DRAWING TITLE | | | | DRAWING NO. | | - | |
| TYPICAL UC601 HYDRAULIC | | | | TYP-HYDRO | | - | |
| PAGE: | DRAWN BY: | DWG. DATE | JOB OR APP.# | DEALER P.O.# | DWG. SCALE | REV. LEVEL(1-3) | |
| AUX 1 | S THOMAS | 3/2017 | - | - | 1:24 | - | |





FLUSH MOUNT HALL CALL STATION



RAISED MOUNT HALL CALL STATION

| | | | | | | | |
|----------------------------------------------------|-----------|-------------------------|--------------|--------------|------------|-----------------|--|
| DWG VIEW | | CALL STATIONS | | PART NUMBER | | REV. DATE | |
| | | | | 80205325 | | - | |
| INCLINATOR COMPANY OF AMERICA HARRISBURG, PA | | DRAWING TITLE | | DRAWING NO. | | - | |
| | | TYPICAL UC601 HYDRAULIC | | TYP-HYDRO | | - | |
| PAGE: | DRAWN BY: | DWG. DATE | JOB OR APP.# | DEALER P.O.# | DWG. SCALE | REV. LEVEL(1-3) | |
| AUX 2 | S THOMAS | 3/2017 | - | - | 1:24 | - | |



DOOR FRAME DETAIL
 STANDARD 2x4 CONSTRUCTION WITH
 1/2" DRYWALL (INSIDE & OUTSIDE OF HOISTWAY)



HALLWAY VIEW



HOISTWAY VIEW

| | | | | | | |
|-------------------------|-----------|-------------|--------------|--------------|------------|-----------------|
| DWG VIEW | | PART NUMBER | | REV. DATE | | |
| DOOR FRAME KITS | | 80205325 | | - | | |
| DRAWING TITLE | | DRAWING NO. | | - | | |
| TYPICAL UC601 HYDRAULIC | | 21211403 | | - | | |
| PAGE: | DRAWN BY: | DWG. DATE | JOB OR APP.# | DEALER P.O.# | DWG. SCALE | REV. LEVEL(1-3) |
| AUX 3 | S THOMAS | 3/2017 | - | - | 1:24 | - |

